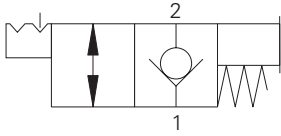


MPV1-10 - Manual Pull Valve

Poppet type, normally closed valve

45 L/min (11.9 USgpm) • 210 bar (3000 psi)



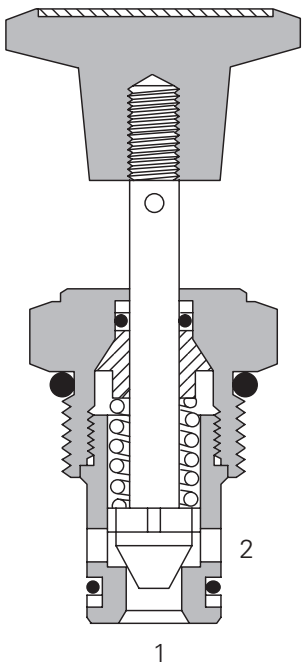
Operation

This valve blocks flow from port 2 to port 1 and will allow flow from port 1 to port 2 when the spring bias is overcome.

Features

Hardened and ground poppet and seat with very low internal leakage

Sectional View



Performance Data

Performance data is typical with fluid at 21,8 cSt (105 SUS) and 49°C (120°F)

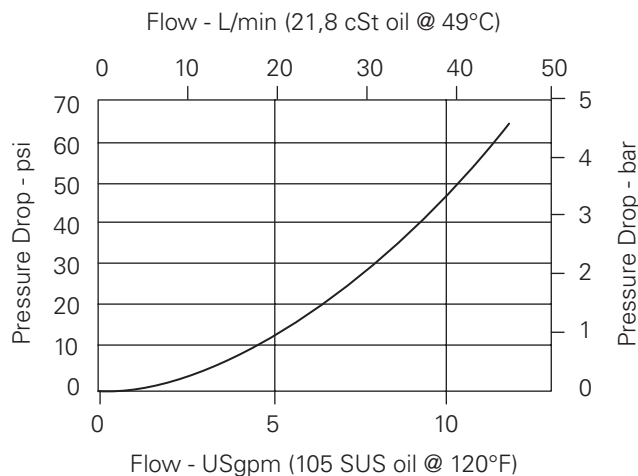
Typical application pressure (all ports)	210 bar (3000 psi)
Cartridge fatigue pressure (infinite life)	210 bar (3000 psi)
Rated flow	45 L/min (11.9 USgpm)
Internal leakage, port 2 to port 1	5 drops/min. maximum @ 210 bar (3000 psi)
Temperature range	-40° to 120°C (-40° to 248°F)
Cavity	C-10-2
Fluids	All general purpose hydraulic fluids such as: MIL-H-5606, SAE 10, SAE 20 etc.
Filtration	Cleanliness code 18/16/13
Standard housing materials	Aluminum
Weight cartridge only	0,11 kg (0.24 lbs)
Seal kit	565803 (Buna-N), 566086 (Viton®)

Viton is a registered trademark of E.I. DuPont

Description

This is a manually operated, pull to open normally closed none balanced poppet screw in cartridge valve. Ideal as an emergency lower valve.

Pressure Drop



WARNING
Back pressure of 16 bar (240 psi) will unseat the poppet.

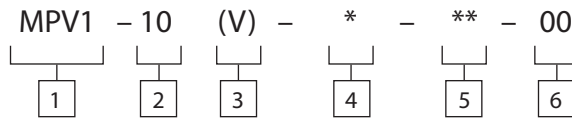
Where measurements are critical request certified drawings. We reserve the right to change specifications without notice.

MPV1-10 - Manual Pull Valve

Poppet type, normally closed valve

45 L/min (11.9 USgpm) • 210 bar (3000 psi)

Model Code



1 Function
MPV1 - Manual pull valve

2 Size
10 - 10 size

3 Seal Material
Blank - Buna-N
V - Viton®

4 Type
T - Stem only
K - Knob

5 Port Size
0 - Cartridge only

Code	Port Size	Housing Number	
		Aluminium Light Duty	Aluminium Fatigue Rated
3B	3/8" BSPP	02-175462	
6T	SAE 6	566151	
2G	1/4" BSPP	-	876702
3G	3/8" BSPP	-	876703
6H	SAE 6	-	876700
8H	SAE 8	-	876701

See section J for housing details.

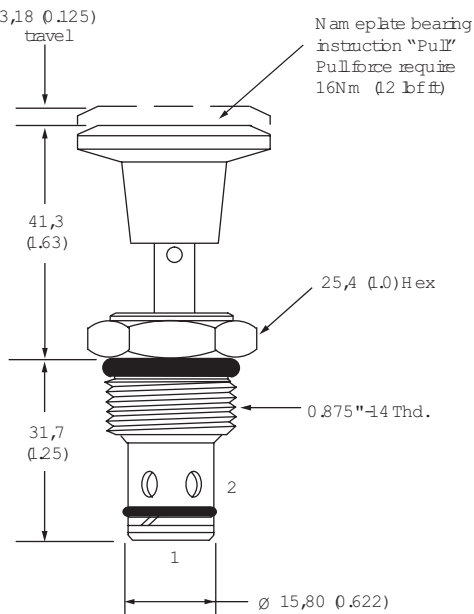
6 Special Features
00 - None
(Only required if valve has special features, omitted if "00.")
SS - 316 Stainless steel external components

Dimensions

mm (inch)

Torque cartridge in aluminum housing
47-54 Nm (35-40 ft lbs)

Cartridge Only



Installation Drawing

