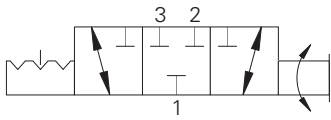


MRV3-16 - Manual Rotary Valve

Manual semi-rotary directional control valve
64 L/min (17 USgpm) • 210 bar (3000 psi)

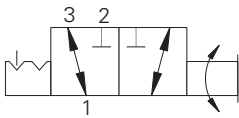
MRV3-16(V)-D

3 position models

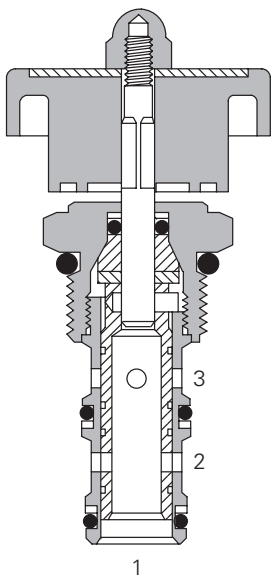


MRV3-16(V)-D2

2 position models



Sectional View



Operation

This valve will direct flow between ports 1 and 3 and block port 2 in one position.

By turning the operator 90°, flow will be directed between ports 1 and 2 and port 3 will be blocked. During cross-over transition, all ports are blocked.

Features

Hardened, ground and honed working parts to limit leakage and prolong life. Various levers and knobs available with and without detent.

Performance Data

Ratings and Specifications

Performance data is typical with fluid at 21,8 cSt (105 SUS) and 49°C (120°F)

Typical application pressure (all ports)	210 bar (3000 psi)
Cartridge fatigue pressure (infinite life)	210 bar (3000 psi)
Rated flow	64 L/min (17 US gpm)
Temperature range	-40°C to 120°C (-40° to 248°F)
Manual operators	D - Lever (3-position detent)* D2 - Lever (2-position detent)* K - Knob (2-position, no detent)
Cavity	C-16-3
Fluids	All general purpose hydraulic fluids such as: MIL-H-5606, SAE 10, SAE 20 etc.
Filtration	Cleanliness code 18/16/13
Standard housing material	Aluminum or Steel
Weight cartridge only	0,53 kg (1.16 lbs)
Seal kit	889632 (Buna-N), 889636 (Viton)

* Light duty housing only.

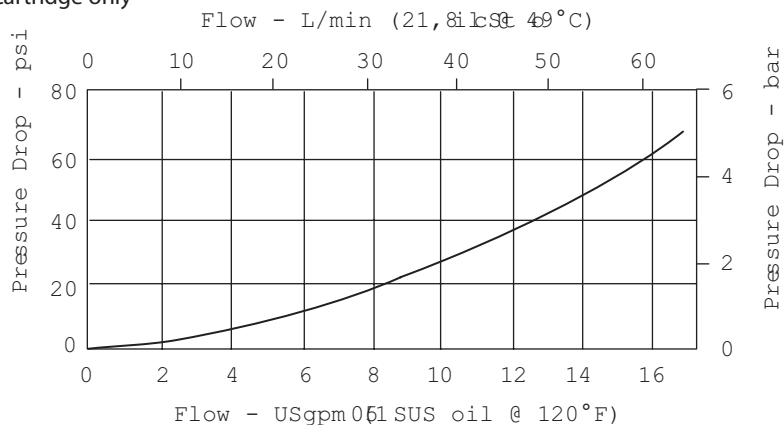
Viton is a registered trademark of E.I. DuPont

Description

This is a 3 way 2 or 3 position manual semi-rotary directional control valve. Can be used as a diverter or a dump valve

Pressure Drop Curves

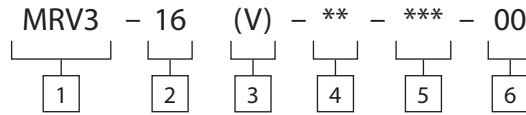
Cartridge only



MRV3-16 - Manual Rotary Valve

Manual semi-rotary directional control valve
64 L/min (17 USgpm) • 210 bar (3000 psi)

Model Code



1 Function
MRV3 - Manual rotary valve 4-way

2 Size
16 - 16 size

3 Seal Material
Blank - Buna-N
V - Viton

4 Manual Operations
O - No operator
D - Level (3-position detent)
D2 - Level (2-position detent)
K - Knob (2-position, no detent)

5 Port Size

Code	Port Size	Housing Number	
		Aluminum Fatigue Rated	Steel
0	Cartridge		
A12T	SAE12	566152*	
A6B	3/4" BSPP	02-1754165*	
A10H	SAE10	876721	
A12H	SAE12	876723	
A4G	1/2" BSPP	876720	
A6G	3/4" BSPP	876722	
S4G	1/2" BSPP		02-175131
S6G	3/4" BSPP		02-175132
S10T	SAE 10		02-175129
S12T	SAE 12		02-175130

See section J for housing details.
* Aluminum light duty.

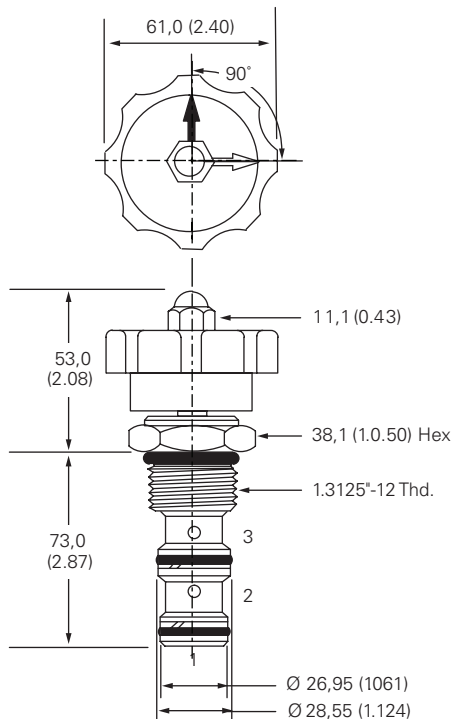
6 Special Features
00 - None
(Only required if valve has special features, omitted if "00")

Dimensions

mm (inch)

Torque cartridge in aluminum housing
108-122 Nm (80-90 ft. lbs)

Cartridge Only



Installation Drawing (Aluminum)

